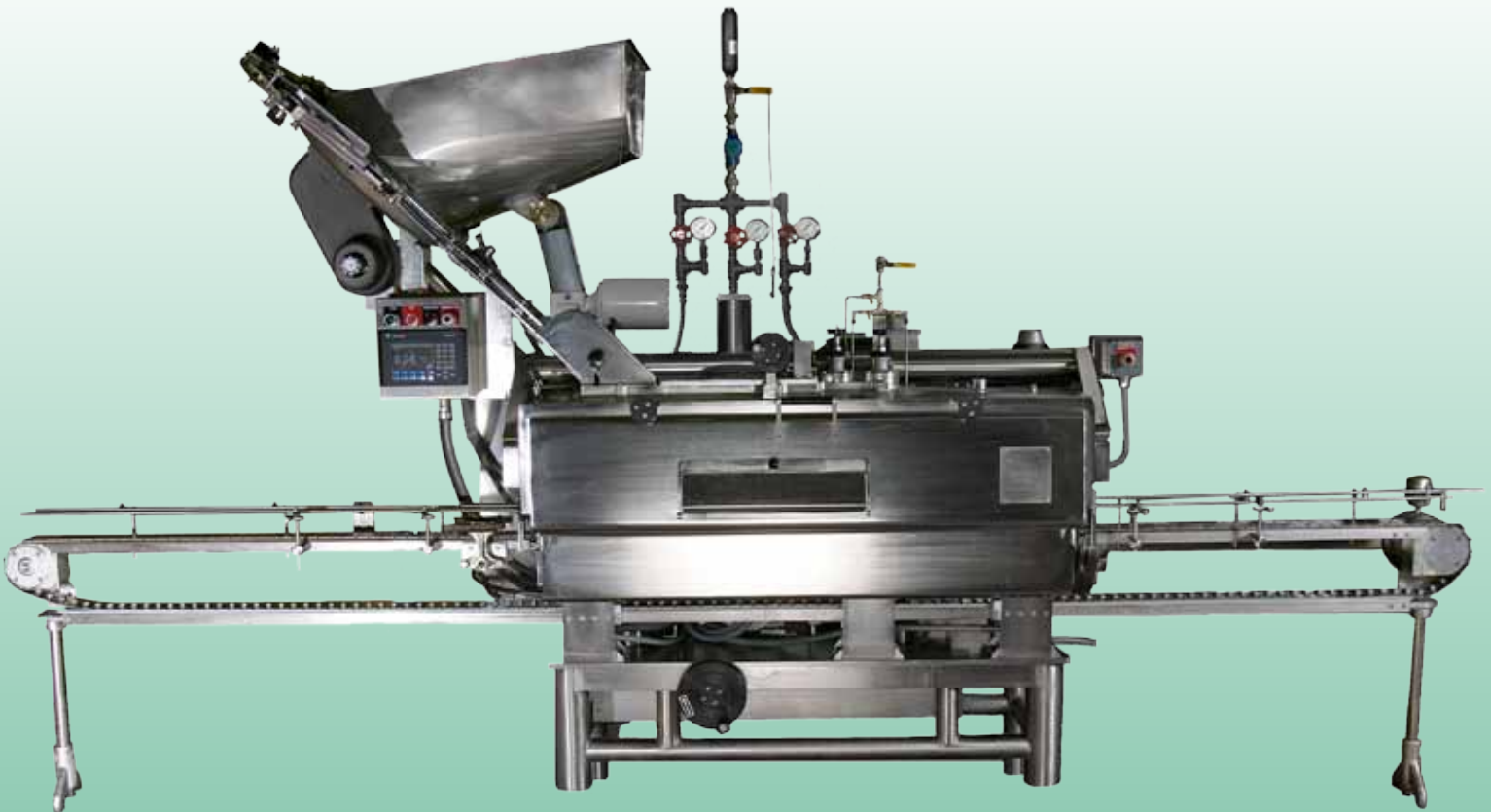


CROWN Closures Machinery Series 4SS Sealing Machine

with Machine-Mounted Cap Hopper

 **CROWN**
Brand-Building Packaging™
1765 W. Fair Ave.
Lancaster, OH 43130



The **Series 4SS** is a stainless steel straight line vacuum sealing machine capable of applying a wide range of closure sizes and styles at speeds up to 700+ containers per minute. The simple steps required to change the machine from size to size makes the **4SS** a popular choice for operations requiring efficiency as well as versatility.

Phone: (740) 681-6593
Fax: (740) 681-6527

Series 4SS Sealing Machine
Email: CCMSales@crowncork.com
Website: www.crowncork.com/cappersus

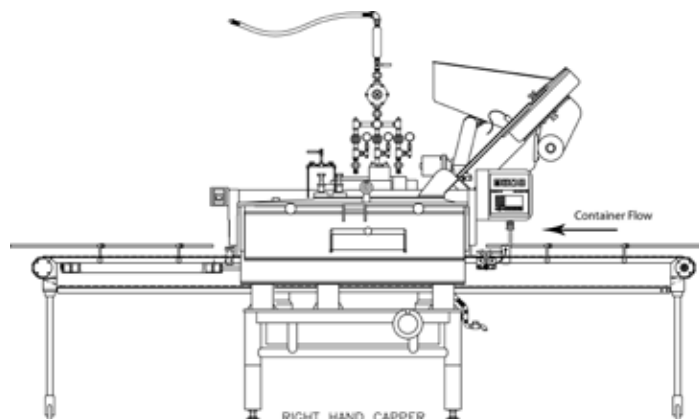
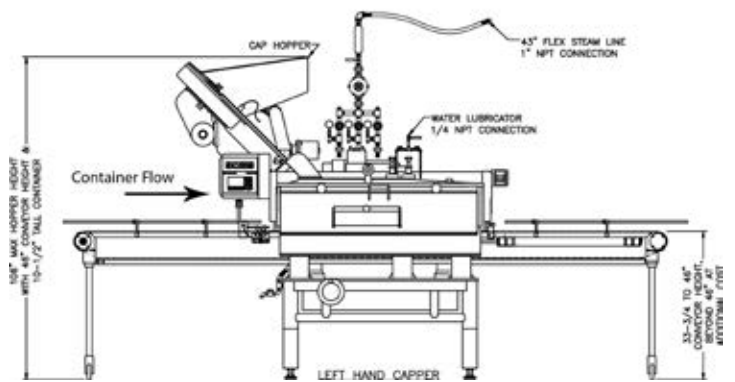
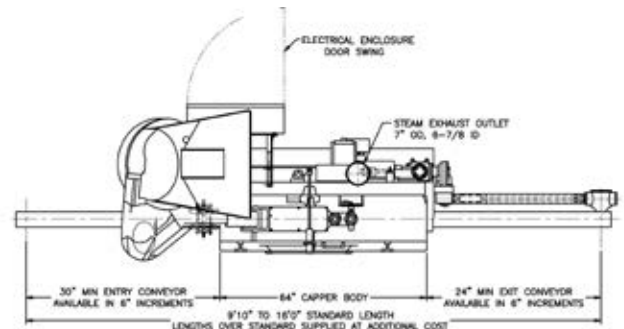
CROWN Closures Machinery Series 4SS Sealing Machine

with Machine-Mounted Cap Hopper



Specifications

- Two models available:
 - Left Hand (LH) Capper: Containers enter from operator left side & exit to the right
 - Right Hand (RH) Capper: Containers enter from operator right side & exit to the left
- Speed: Up to 700+ jars per minute, dependent upon container profile and closure size
- Closure Sizes: 27mm-110mm
- Closure Types: CT, PT, Twist (Regular, Medium, Deep), Trim Twist™, Flex™, Preson®, Tamperguard, Ideal® and Plastic Multi-start
- Container Diameters: 1-1/2" to 6-5/8" diameter (Other shaped containers can also be handled)
- Container Height: 2-1/2" to 10-1/2" STD. Height
- Steam Requirements: 75 lbs. per square inch of clean dry steam at the machine and from a properly trapped line.
- Steam Line Size: 3/4" pipe connection at the machine. A 1" or larger steam line is desirable
- Air Requirements: None
- Voltage Requirements: To suit your requirements
- Water requirements: 1/4" cold water connection at the machine
- Approximately 3/4 gallon/minute, 50 PSI maximum



Standard Equipment

- Conveyor length from 9' 10" to 16'
- Closure Hopper Orientation - Magnetic Selectors
- Panelview Operational Controls
- AC Inverter Variable Drive Controller
- Stainless Steel Hopper Bin
- No Cap in Chute/Shut Down
- No Jar/Stop Hopper

The true test of any sealing machine is the ability to deliver exceptional results. We invite you to take a closer look at our **4SS Sealing Machine.**

Note: Features and Specifications are subject to change without prior notice.

Series 4SS Sealing Machine

Phone: (740) 681-6593
Fax: (740) 681-6527

Email: CCMSales@crowncork.com
Website: www.crowncork.com/cappersus